

A CRYSTAL CLEAR GUIDE TO IMPROVING YOUR DRINKING WATER

INTRODUCTION

Even after purification and delivery to our taps many people consider technically pure water undrinkable.

Water authorities undertake a mammoth task to provide the growing population with water. They get it to a drinkable state but then stop at that.

Hardness and permitted contaminants are not removed, the unmistakable traces of chlorine remain as does the taste and appearance which originates from the water source.

There are several steps which can be taken to improve your drinking water. We offer a series of on-line systems with a permanent connection to the mains supply. These systems reduce or remove a number of contaminants.

SEDIMENT FILTERS

A sediment filter removes particles such as rust and dirt making it an ideal 'cleaning' filter. They are available in various micron ratings dependant on what needs to be removed.

GRANULATED ACTIVATED CARBON (GAC) FILTER

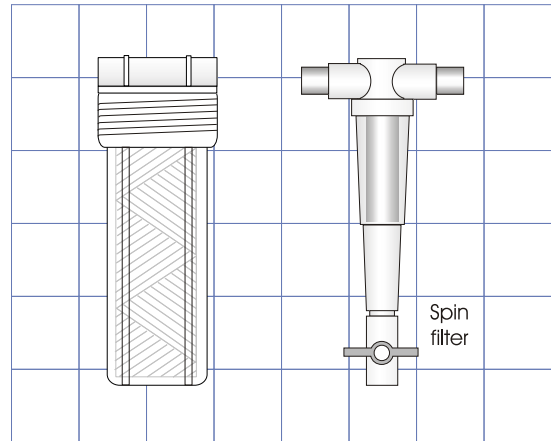
Activated carbon is a very effective medium. It's finely pitted carbon surface traps tastes, odours, chlorine, herbicides and pesticides giving water a clean and fresh taste.

A GAC comes with its own fitting kit and clear instructions making it suitable for a DIY installation or we can fit it for a small extra charge.

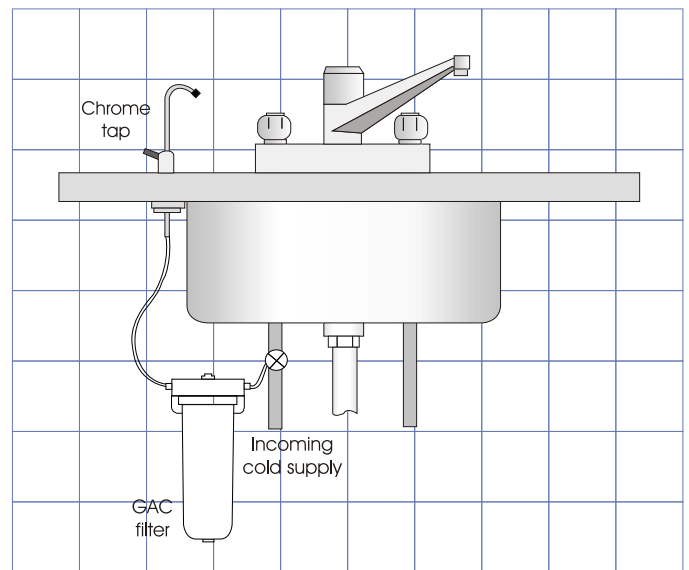
A GAC greatly improves drinking water whilst giving you a constant mains pressure supply.

SPECIALIST FILTERS

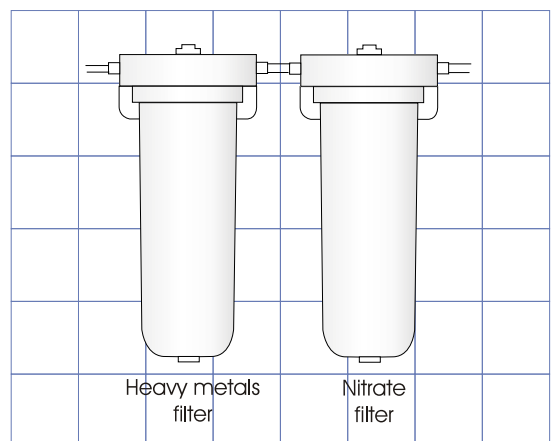
There are also various specialist filters available to be used alone or in different combinations depending on your requirements. For example there are filters to cope with heavy metals, hardness, nitrates, etc.



Sediment Filters



GAC Installation



Specialist Filters

Believe what is true - Love what is rare - Drink what is clear

ON TAP WATER TREATMENT **0500 549030** FILTRATION SPECIALISTS

5A AVALON PARK, SOMERTON BUSINESS PARK, SOMERTON, SOMERSET, TA11 6SB
FAX: (01458) 274269 E-mail: info@on-tap.co.uk www.on-tap.co.uk

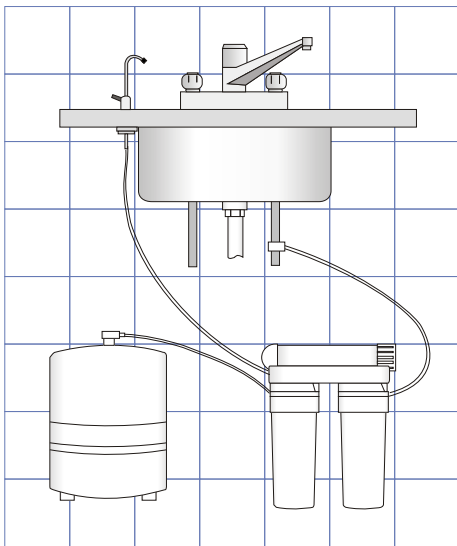
REVERSE OSMOSIS (RO)

The main drawback to a multi unit system is that it can become expensive to replace the filters (ideally this is done every 6-12 months).

An RO system is a bigger initial expense but ends up cheaper to maintain in the long run and produces a much higher quality drinking water.

An RO can reduce or remove a massive range of contaminants, organics and inorganics.

In an RO the water travels through a pre-filter which removes sediment matter and chlorine. It is then forced through a semi-permeable membrane where dissolved solids are rejected and flushed out. Finally the water is 'polished' by an activated carbon filter removing tastes and odours.



Reverse Osmosis Installation

Water treated by an RO system is about as pure as you can get and the best tasting. We guarantee that with an RO you'll *want* to drink more water. It is purer than bottled spring and mineral water yet it costs a fraction of a penny per litre to produce.

THE NEXT STEP

What irritates or worries you about your drinking water?

Hopefully this guide has given you an insight into what improvements can be made

Why not give us a call on our freephone number for a no obligation chat and we can discuss your options.

CARTRIDGE SELECTION CHART

		PRODUCT CHOICE			
		SEDIMENT FILTERS	GAC FILTER	SPECIALIST FILTERS	REVERSE OSMOSIS
AESTHETIC	COLOUR		●		●
	ODOUR		●		●
	TASTE		●		●
PARTICULATES	CLOUDINESS	●	●		●
	DIRT & SILT	●	●		●
	RUST PARTICLES	●	●		●
	SAND	●	●		●
INORGANICS	ALUMINIUM				●
	ARSENIC				●
	BARIUM				●
	CADMIUM			●	●
	CALCIUM (Hardness)			●	●
	CHLORIDE				●
	CHLORINE		●		●
	CHROMIUM				●
	COPPER			●	●
	FLOURIDE				●
	IRON			●	●
	LEAD			●	●
	MAGNESIUM (Hardness)				●
	MERCURY				●
	NITRATE			●	●
	PHOSPHATES				●
	POTASSIUM				●
	SELENIUM				●
	SODIUM				●
	SILVER				●
	STRONTIUM				●
	SULPHATE				●
	ZINC			●	●
	ORGANICS	BENZINE		●	
HERBICIDES			●		●
PCB'S			●		●
PESTICIDES			●		●
PETROLEUM			●		●
TRICHLOROMETHANES			●		●
TANNINS			●		●
BIOLOGICAL	ALGAE				●
	BACTERIA				●
	VIRUSES				●

Believe what is true - Love what is rare - Drink what is clear

ON TAP WATER TREATMENT **0500 549030** FILTRATION SPECIALISTS

5A AVALON PARK, SOMERTON BUSINESS PARK, SOMERTON, SOMERSET, TA11 6SB
 FAX: (01458) 274269 E-mail: info@on-tap.co.uk www.on-tap.co.uk